

# ASM

User  
Instructions  
ASM  
Carousel Bather  
MkI & Mk II



## Medicare

Picow Farm Road Ind Estate  
Runcorn, Cheshire, WA7 4UG.

Tel: 01928 574301

Fax: 01928 575130

E-mail: [sales@asmmedicare.com](mailto:sales@asmmedicare.com)

### Carousel Bather Range.

Code No's

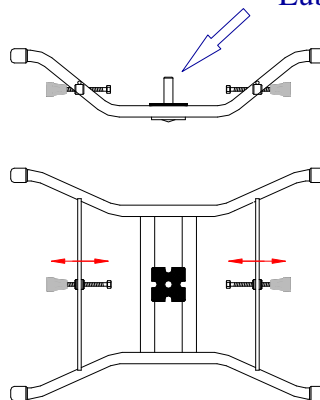
8511 MkI ~ 4 Rubber Side Supports.

8511 MkII ~ 2 Rubber Side Supports.



Lubricate ~ "Vaseline".

Fig 1.  
8511 MkII  
Shown.



Both the MkI & MkII are available in two widths,  
these are: 711mm / 28" & 635mm / 25".  
Please state size required on your order form.

On receipt of your new ASM Carousel Bather please check the contents for signs of damage, report any defects to **ASM Medicare Ltd** immediately. The Carousel comes fully assembled and ready for use.

The base of the Carousel **MUST** be adjusted to your particular bath before use and also readjusted if used on a different bath!

Please read the following instructions **BEFORE** use.

- 1} Remove the seat frame from the base frame, by lifting at the armrests.
- 2} Place the base frame onto your bath and check that it fits correctly, there should be at least 35mm / 1½" of support on each side of the bath.
- 3} Ensure that the rubber side support feet {MkI ~ 4 feet / MkII ~ 2 feet} are adjusted equally to the side of the bath & finger tightened **ONLY!**
- 4} Replace the seat frame.
- 5} The seat frame has four locking positions and in order to allow the seat to rotate, lift the handle with the black ball knobs. When the seat is in the correct position lower the handle ensuring that it is locked before bathing, sitting or leaving the seat.
- 6} Periodic checks of *all* screws and fittings is recommended, replace if required. It is also recommended that the pivot pin should be lubricated at regular intervals (depending on the amount of use) with "Vaseline". Fig 1
- 7} Clean the ASM Carousel Bather by using a mild proprietary soap and / or disinfectant. Dry with a soft clean cloth.

The intended use of this product is to provide the user with a bathing aid to assist the user who cannot climb into or out of the bath.

M.U.W = 102kg / 16st.

**NOTE:- These products are only to be used for their intended purpose.**

For details of all our products please visit our web site at [www.asmmedicare.com](http://www.asmmedicare.com)

